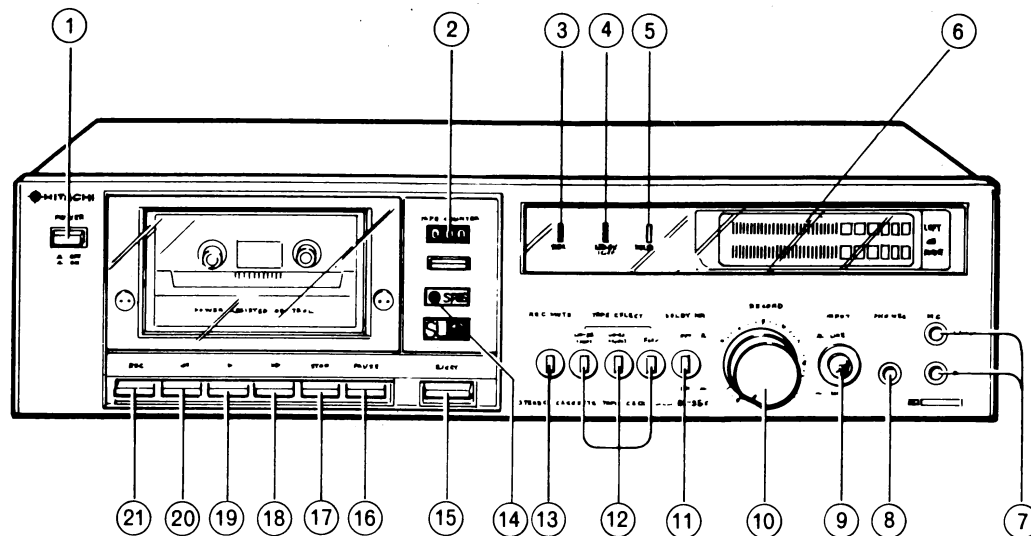


SERVICE MANUAL

English

No. 1227



KEY TO ILLUSTRATIONS

- | | | |
|--|----------------------------|-----------------------|
| ① POWER (MAINS) SWITCH | ⑧ HEADPHONE SOCKET | ⑮ EJECT BUTTON |
| ② TAPE COUNTER | ⑨ INPUT SELECTOR | ⑯ PAUSE BUTTON |
| ③ RECORDING INDICATOR | ⑩ RECORDING LEVEL CONTROLS | ⑰ STOP BUTTON |
| ④ CrO ₂ POSITION INDICATOR | ⑪ DOLBY NR SWITCH | ⑱ FAST FORWARD BUTTON |
| ⑤ DOLBY NR INDICATOR | ⑫ TAPE SELECT SWITCHES | ⑲ PLAYBACK BUTTON |
| ⑥ DIGITAL PEAK METER | ⑬ REC. MUTE SWITCH | ⑳ REWIND BUTTON |
| ⑦ MICROPHONE SOCKETS (Left/mono and Right) | ⑭ SPSS INDICATOR | ㉑ RECORD BUTTON |

SAFETY PRECAUTION

The following precautions should be observed when servicing.

1. Since many parts in the unit have special safety related characteristics, always use genuine Hitachi's replacement parts. Especially critical parts in the power circuit block should not be replaced with other makers.

Critical parts are marked with Δ in the schematic diagram and circuit board diagram.

2. Before returning a repaired unit to the customer, the service technician must thoroughly test the unit to ascertain that it is completely safe to operate without danger of electrical shock.

Note :

W.....General Area
 FS.....Switzerland and Scandinavia
 BS Great Britain
 AUAustralia
 CCanada
 UUSA

STEREO CASSETTE TAPE DECK

July 1979

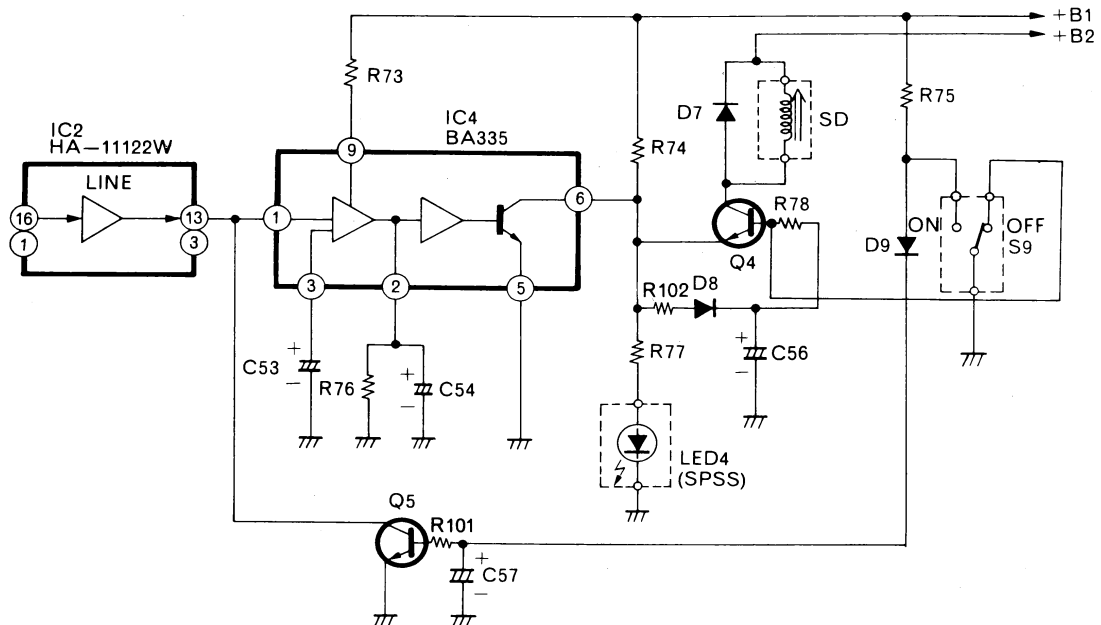
SPECIFICATIONS

Semi-conductors :	
IC's	6
Transistors	8 (For U, C) 9 (For W, BS, FS, AU)
Diodes	12 (For U, C) 14 (For W, BS, FS, AU)
Varistors	3
LED's	4
Track System :	4 track 2 channel
Tape :	Cassette tape (C-30, 60, 90)
Tape Speed :	4.75 cm/s
Recording System and Bias Frequency :	AC bias, 105 kHz
Erasing System :	AC erase
Erase Ratio :	65 dB or more (at 1 kHz)
Frequency Response :	
UD-ER (Normal)	25 Hz to 15 kHz 30 Hz to 14 kHz (± 3 dB) 30 Hz to 14 kHz*
UD-EX (CrO ₂)	25 Hz to 16 kHz 30 Hz to 15 kHz (± 3 dB) 30 Hz to 15 kHz*
FeCr	25 Hz to 15 kHz 30 Hz to 14 kHz (± 3 dB) 30 Hz to 14 kHz*
S/N (Signal to Noise Ratio) :	
Dolby NR OFF	56 dB (A weighted, Reference 3% T.H.D. UD-EX Tape) 56 dB*
Dolby NR ON	64 dB (A weighted, Reference 3% T.H.D. UD-EX Tape) 63 dB*
Wow and Flutter :	0.05% (WRMS) 0.16%*
Input Sensitivity and Impedance :	
Microphone	0.35mV, 300 ohms to 5 kohms
Line in	60mV, 50 kohms or more
DIN (Record/Playback)	0.35mV, 3 kohms (For W, BS, FS, AU) 500mV or more
Output Level :	
Output Load Impedance :	
Line out	50 kohms or more
DIN (Record/Playback)	50 kohms or more (For W, BS, FS, AU)
Headphone	8 ohms to 2 kohms
Distortion :	Less than 1.5% (1 kHz, -3 dB)
Cross Talk :	
Between tracks	60 dB or more (at 1 kHz)
Between channels	30 dB or more (at 1 kHz)
Power Supply :	AC 220V, 50 Hz (For FS) AC 120V, 60 Hz (For U, C) AC 240V, 50 Hz (For BS, AU) AC 100 to 110V/115 to 127V/200 to 220V/230 to 250V, 50/60 Hz (For W)
Power Consumption :	11W
Dimensions :	110(H)×435(W)×267(D)mm
Weight :	5.7 kg
Motor :	Electronically controled DC motor
Heads :	Record/Playback head×1 Erase head×1

* According to DIN 45 500

DESCRIPTION OF NEW CIRCUIT

SPSS (Self Program Search System) function



The SPSS function detects non-recorded sections between tunes recorded on the tape, starts again from the beginning of the tune being played back at present or play back any tune if the FF button or REW button is pressed together with the SPSS button.

The audio signal from terminal ⑬ of IC2 is supplied to terminal ① of IC5 for level detection. When terminal ① of IC5 is at more than -35 dB, the output terminal ⑥ is set to "Hi", and when it is less than -35 dB, the output terminal ⑥ is set to "Lo". C56 is charged during "Hi", D18 lights and Q4 remains in the OFF mode.

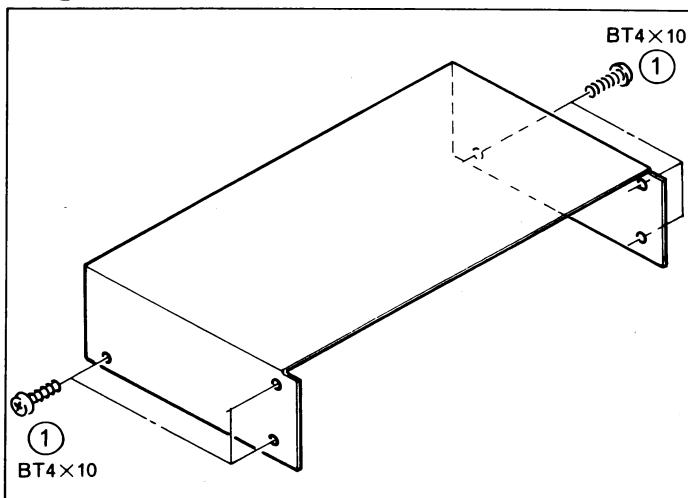
When terminal ⑥ of IC5 is set to "Lo", C56 rapidly

discharges, voltage is applied to the base of Q4, Q4 becomes conducting and the solenoid operates. Q5 mutes the audio signal to prevent solenoid from operating in the PLAY and REC modes. It also works to delay the timing of the output change when the input rapidly drops so that the unit does not stop operation at short low level (less than -35 dB) periods when searching for a tune. This delay time is set by R76 and C54, connected to terminal ② of IC5 with a min. of 0.11 sec and a max. of 0.3 sec. (This means that the low signal level time between tunes during PLAY is approx. 3 sec.)

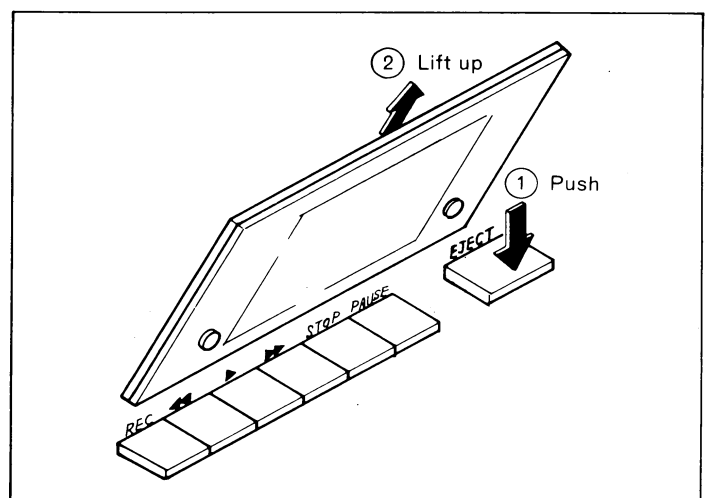
DISASSEMBLY

1. Top cover

- ① 6 screws

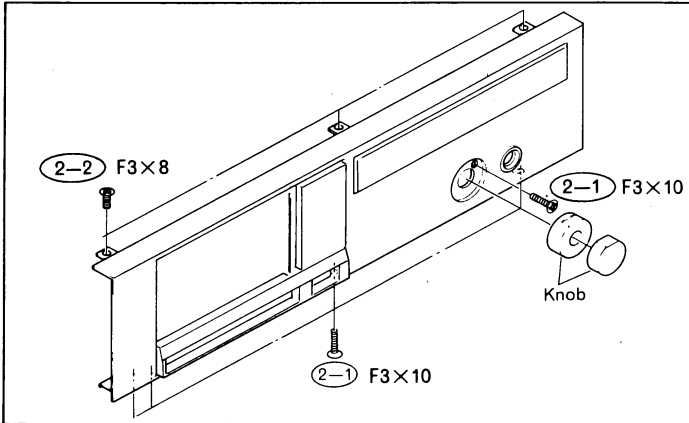


2. Cassette lid



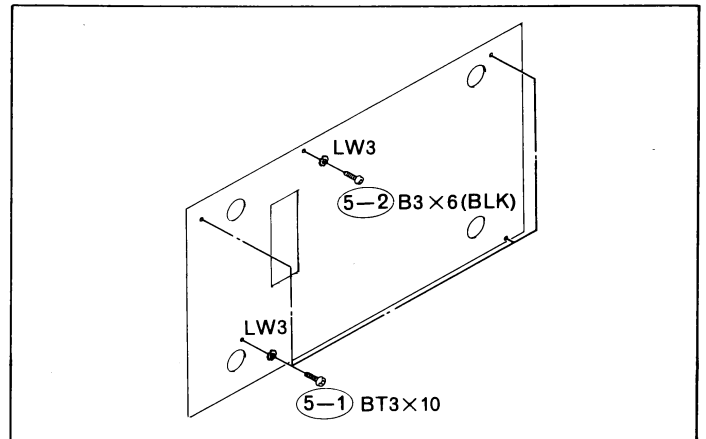
3. Front panel

- 1) Top cover (See item 1)
- 2) Cassette lid (See item 2)
- 3) (2-1) 5 screws
- 4) (2-2) 3 screws
- 5) 2 Knobs



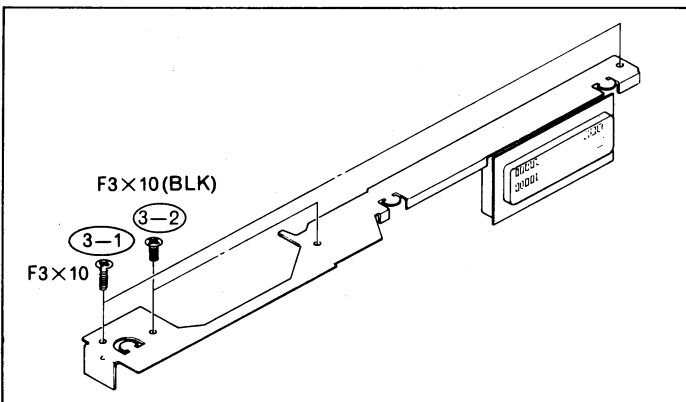
6. Bottom cover

- 1) (5-1) 4 screws



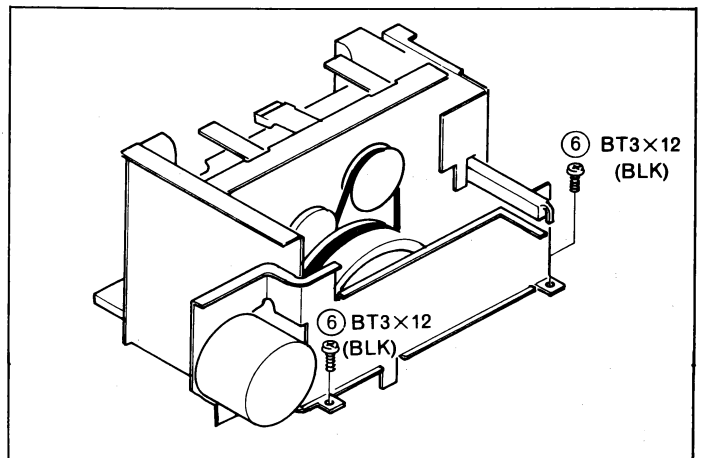
4. Chassis

- 1) Front panel (See item 3)
- 2) (3-1) 2 screws
- 3) (3-2) 2 screws



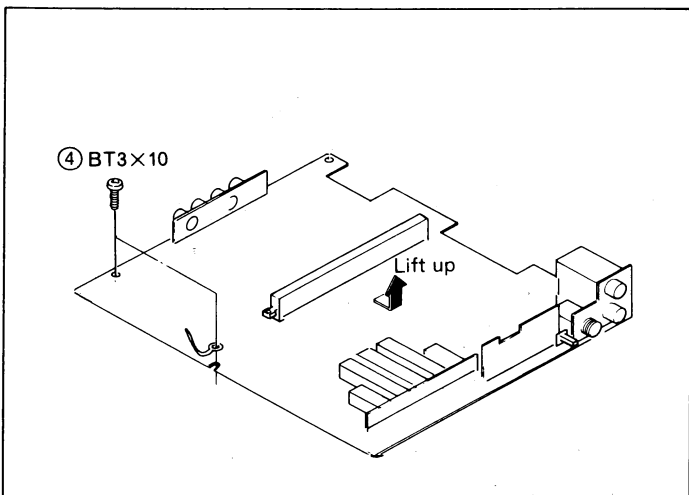
7. Cassette chassis

- 1) Chassis (See item 4)
- 2) (5-2) 1 screw (See item 6)
- 3) (6) 2 screws



5. Main PC board

- 1) Chassis (See item 4)
- 2) (4) 2 screws



ADJUSTMENT

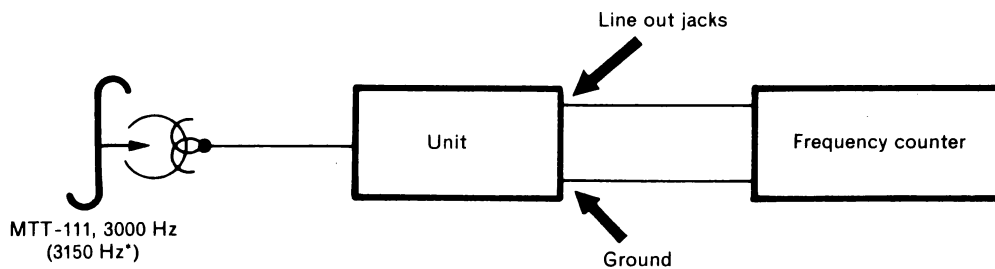
Perform the following adjustments in the sequence stated after cleaning the head, pressure roller, and capstan with a head cleaning stick moistened in alcohol. Also, unless specially indicated otherwise, set the switches and controls to the positions indicated in the table.

Symbol No.	Switches and Controls	Position	Symbol No.	Switches and Controls	Position
S2	Input select switch	LINE	S4	Dolby N R switch	OFF
S3-1~S3-3	Tape select switches	UD-ER (NOR)	RV1L, R	Record level controls	Maximum
S8	Rec mute switch	OFF			

1. Tape speed adjustment

Setting : Playback mode

Connection :



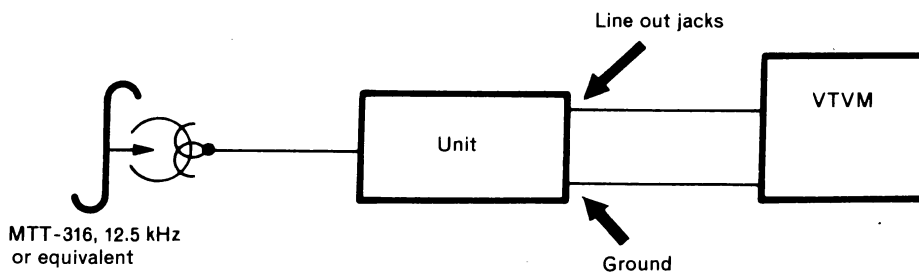
Adjustment : Warm up the unit for approximately 20 minutes ; then playback test tape MTT-111, 3000 Hz (3150 Hz*) and measure the speed deviation with a frequency counter. If required, adjust the semi-variable resistor on the motor for a reading of 3000 Hz $\begin{matrix} +30 \\ -10 \end{matrix}$ Hz (3150 Hz*). Carry out the measurement at the middle of the tape.

* According to DIN 45 500.

2. Head azimuth adjustment

Setting : Playback mode

Connection :



Adjustment : Playback a test tape (MTT-316, 12.5 kHz or equivalent) and adjust the azimuth adjustment screw for maximum output.

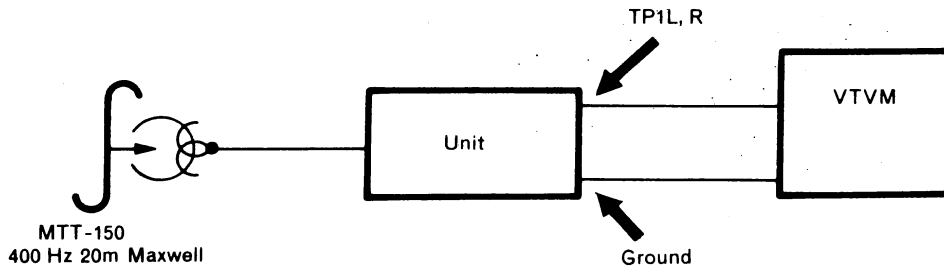
Note :

When the maximum values of both channels are different, tune to the maximum value of the L channel. In this case, the difference between the maximum values of both channels should be 2 dB or less.

3. Playback level (gain) and digital peak meter adjustment

Setting : Playback mode

Connection :

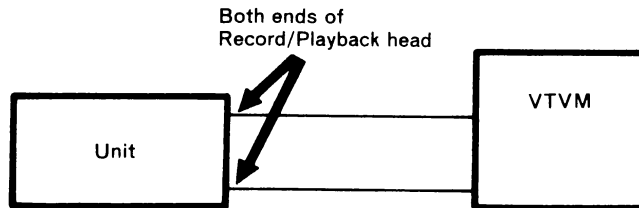


Adjustment : Playback a Dolby calibration tape (MTT-150, 400 Hz 20m Maxwell) and adjust RT1L, R so that the voltage of TP1L, R becomes 0.775V. Next, apply a 1 kHz signal to the LINE IN jacks and adjust the input so that the output at TP1L, R is 0 dBm (0.775V). Then, adjust RT3L, R so that the level indicator (0 dB) lamp lights.

4. Bias current adjustment

Setting : Recording mode

Connection :

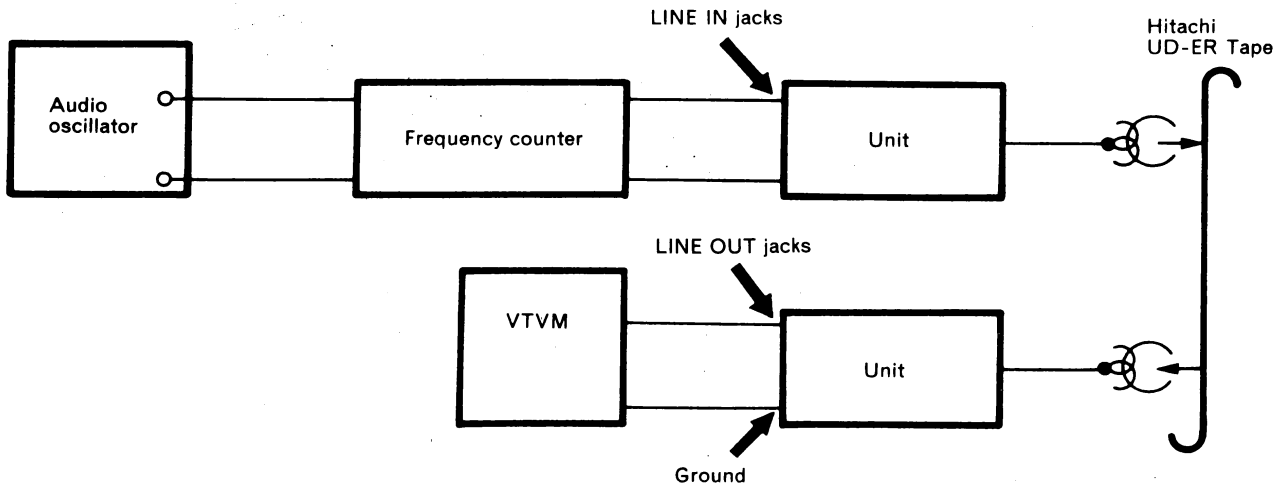


Adjustment : Set the record mode. Adjust RT4L, R so that the bias voltage of 12V is applied to the both ends of Record/Playback head.

5. Record/playback output level, frequency characteristics adjustment

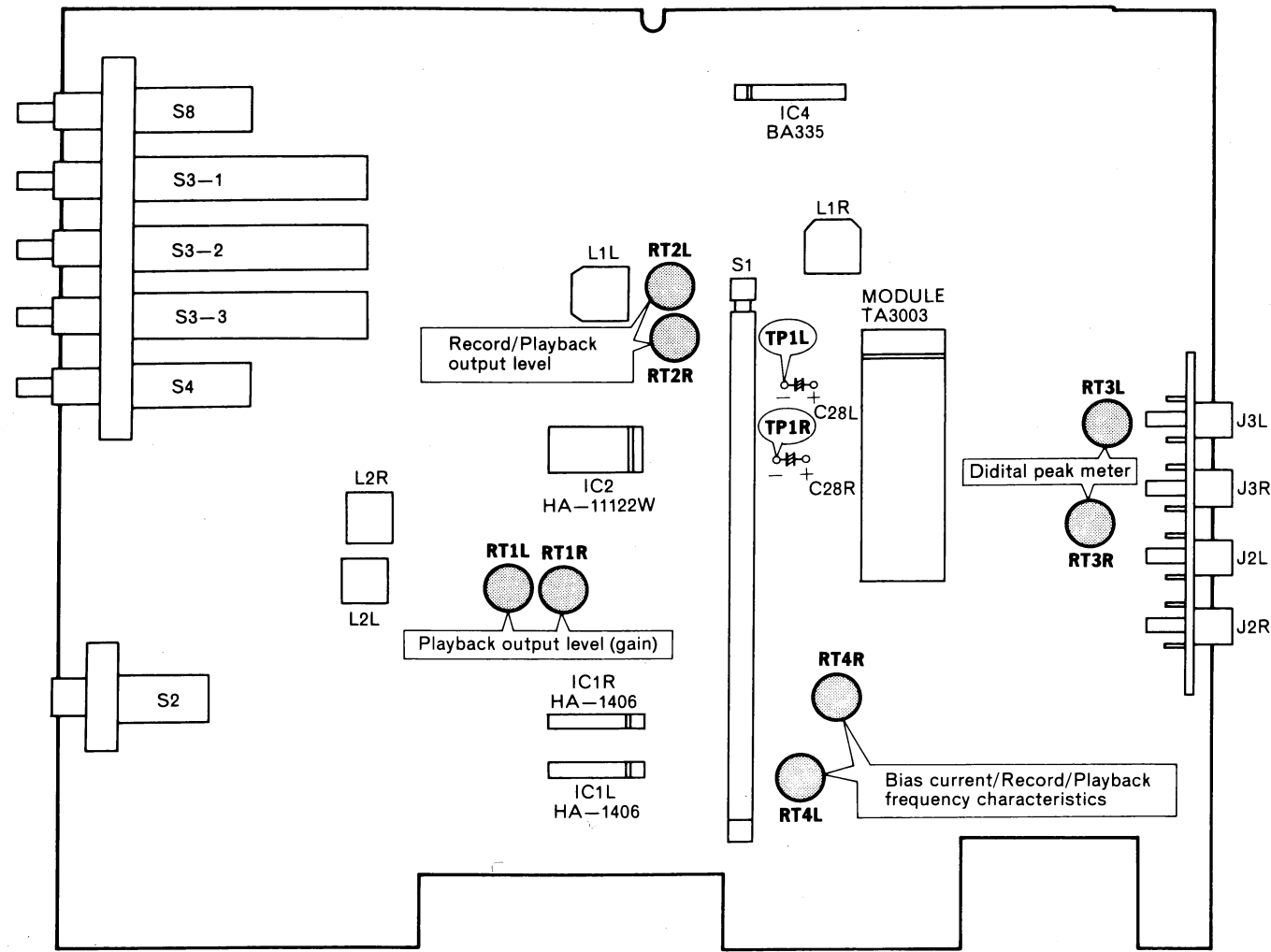
Setting : Recording/playback mode

Connection :



Adjustment : Record a signal of 1 kHz, -3 dB on a Hitachi UD-ER tape. Playback the tape and adjust RT2L, R for a playback output of -3 dB ± 1 dB. Next, record 1 kHz and 10 kHz signals at the level of 0 dB -20 dB. Playback the tape and adjust RT4L, R for an output difference within ± 1 dB.

Adjustment Parts Location



Projection of REC/PLAY head during SPSS operation

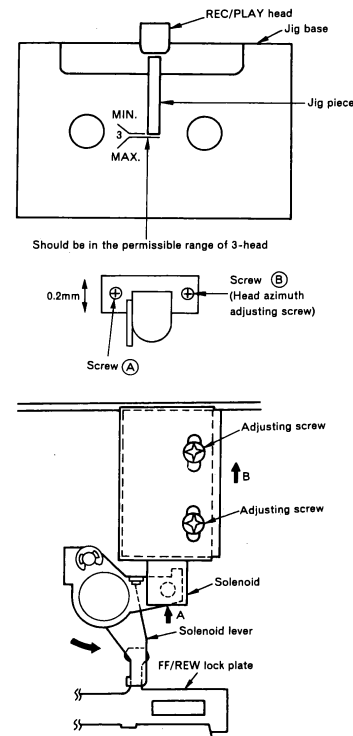
Mount the jig, press the FF/PLAY or REW/PLAY button simultaneously in the PLAY mode and check the projection of the REC/PLAY head by the same procedure as in the conventional REC/PLAY head projection check during PLAY. Use the jig, piece exclusively for D.R.P.S and the dimension of the marking-off line of the jig base, within the permissible range (within 0.4mm) for 3 heads.

Reference : REC/PLAY head projection within the permissible 3-head range using the exclusively jig piece is 1.7 to 2.1mm.

Adjust the adjusting screw (A), (B) when it is not in the above range. (Adjustment to maximum 0.2mm is possible by adjusting the forward and backward position of the head.)

Installation position of solenoid

Move the solenoid in the direction of the arrow while the PLAY/REW or PLAY/FF buttons are locked. Fix the solenoid in the position where the REW or FF button is released at that time.

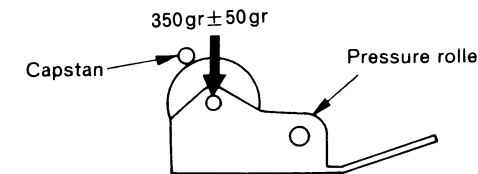


Inspection of mechanism

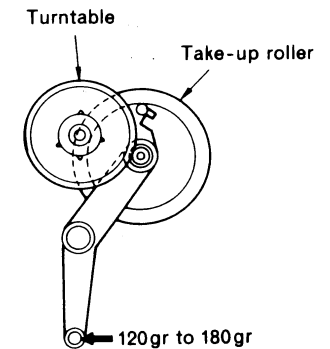
	Check item	Reference value	Remarks	
1.	Pressure of pressure roller	350gr ± 50gr	Note 1	
2.	Torque	Take-up	35 to 60gr-cm	Measure in playback mode
		FF	70 to 120gr-cm	Measure in FF mode
		Rewind	70 to 120gr-cm	Measure in REW mode
3.	Back-tension	Take-up side	Less than 6gr-cm	Values when installing the counter
		Supply side	1 to 3gr-cm	_____
4.	Flywheel thrust gap	0.05 to 0.5mm	_____	
5.	Pressure of take-up roller	120 to 180gr	Note 2	
6.	Brake torque	more than 15gr-cm	_____	

Note 1. Pressure of pressure roller

Set this unit in the playback mode and press the pressure roller in the direction of the arrow using a fan type tension gauge, and measure the pressure when the pressure roller is released from the capstan.



Note 2. Pressure of take-up roller

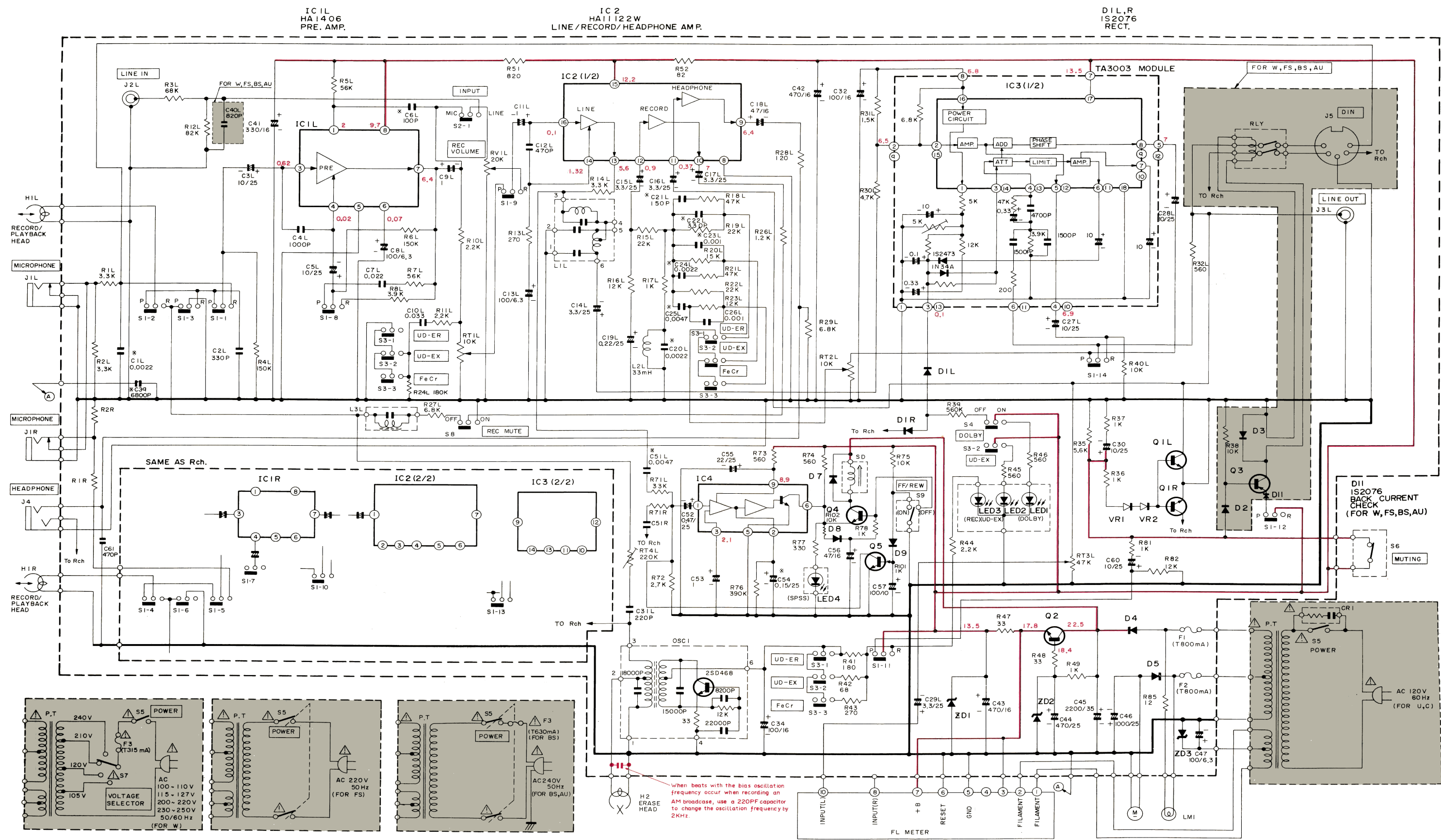


LUBRICATION

Lubricate one or two drops of machine oil to rotating point or lubricate grease to sliding point. Lubricate the respective parts listed below once every 1000 hours or once a year under normal conditions of use. Avoid oiling them excessively, or rotation may become irregular because of oil splashes.

Lubrication	
Motor shaft bearing	Oil
Capstan shaft bearing	
Pressure roller bearing	

SCHEMATIC DIAGRAM



- LED3
TLR-25
REC INDICATOR
- IC4
BA335
LEVEL DET.
- LED4
GL 3PGI
SPSS INDICATOR
- LED1
TLG-25
DOLBY NR
INDICATOR
- LED2
TLG-25
UD-EX
INDICATOR
- D7
ISR34
PROTECTOR
- Q4
25C1061
SWITCHING
- Q5
25C1740
MUTING
- D8,D9
IS2473
BACK
CURRENT CHECK
- Q2
25C1061
VOLT. STAB.
- ZD1, ZD2, ZD3
AW-13 HZ-18 HZ-4B
VOLT. STAB.
- D4,D5
ISR34
RECT.
- VR1, VR2
KB265
LEVEL SHIFT
- Q1L,R
25D467BC
MUTING
- D2,D3
IS2473
BACK CURRENT CHECK
(FOR W, FS, BS, AU)
- Q3
2SA673
SWITCHING
(FOR W, FS, BS, AU)

CIRCUIT BOARD DIAGRAM

■ : Ground ■ : Signal, +B

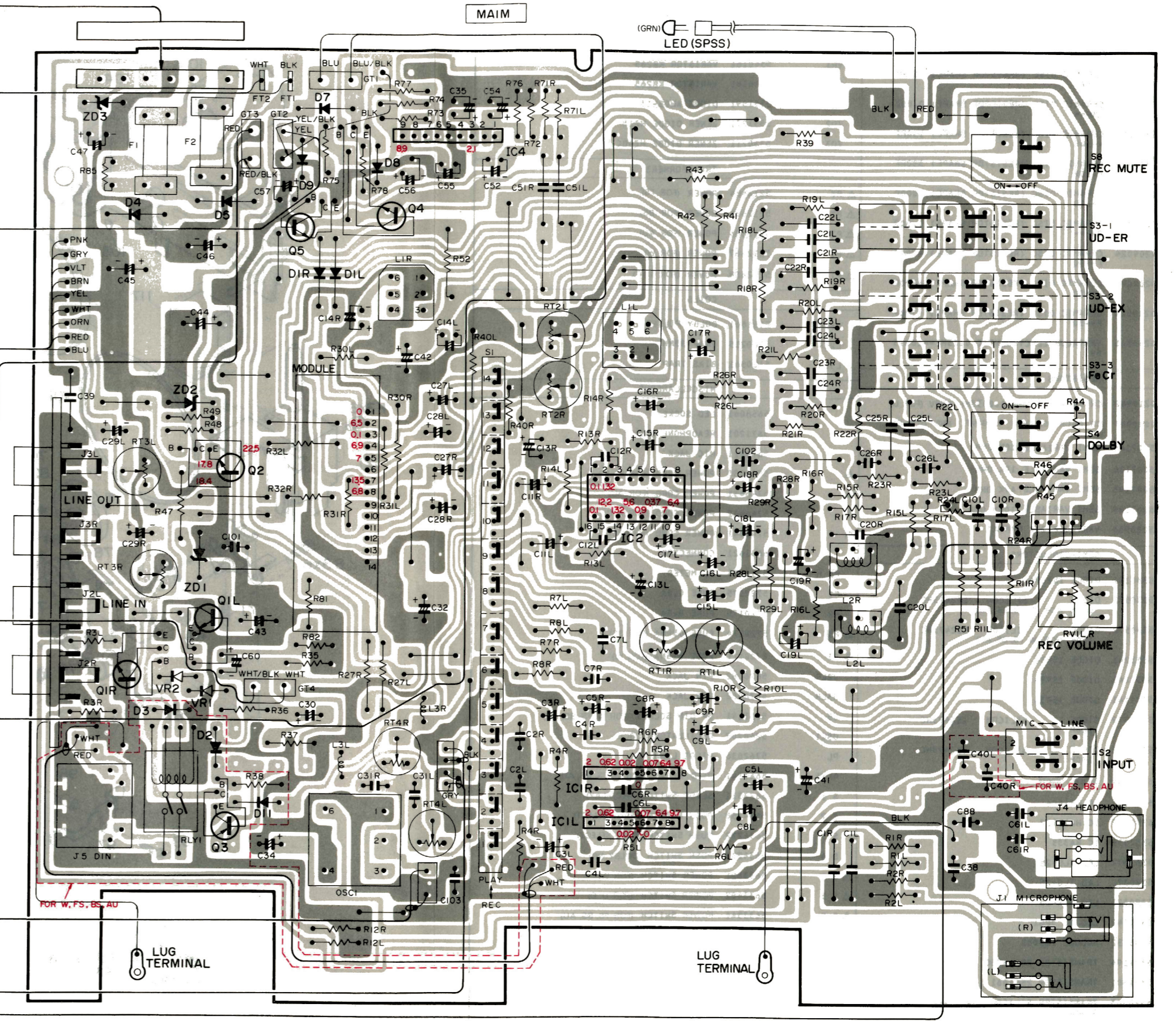
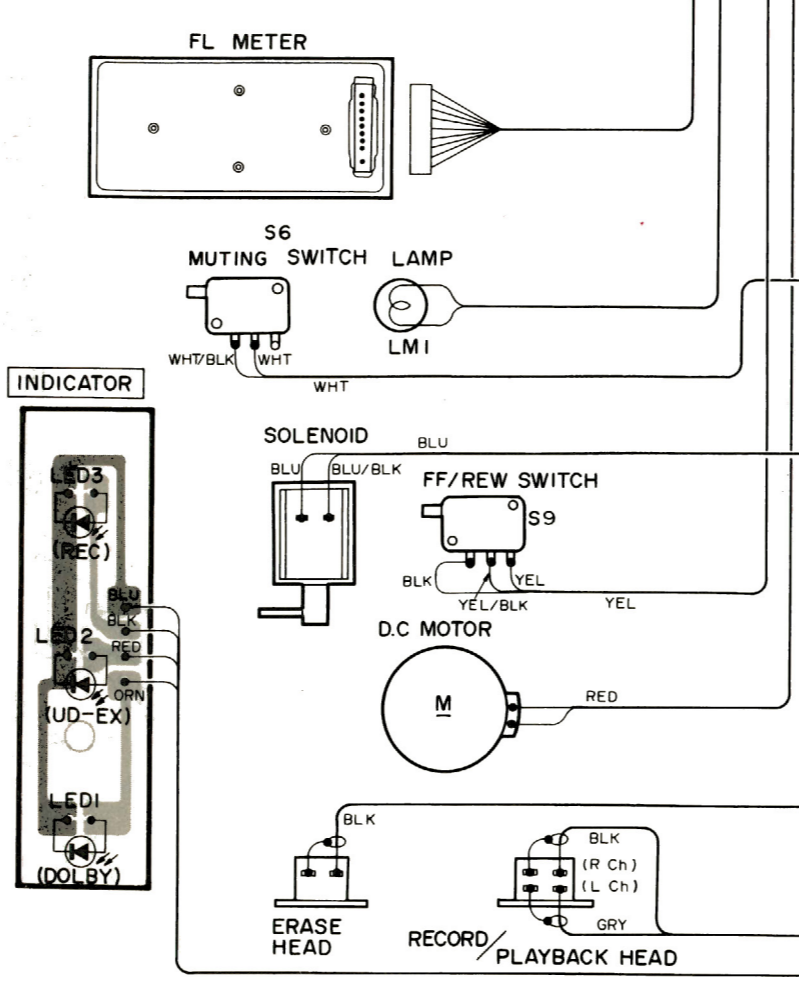
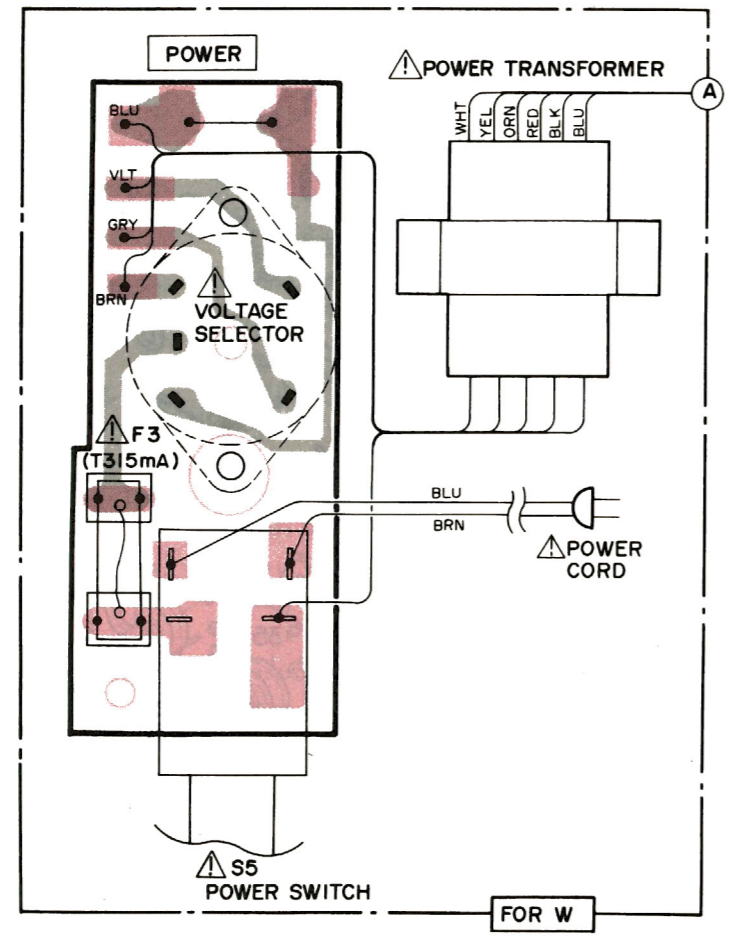
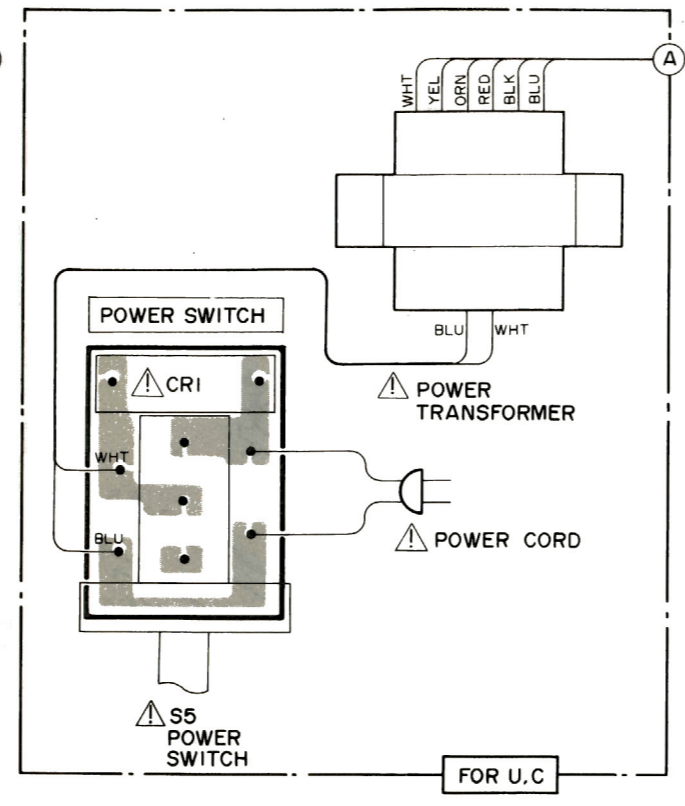
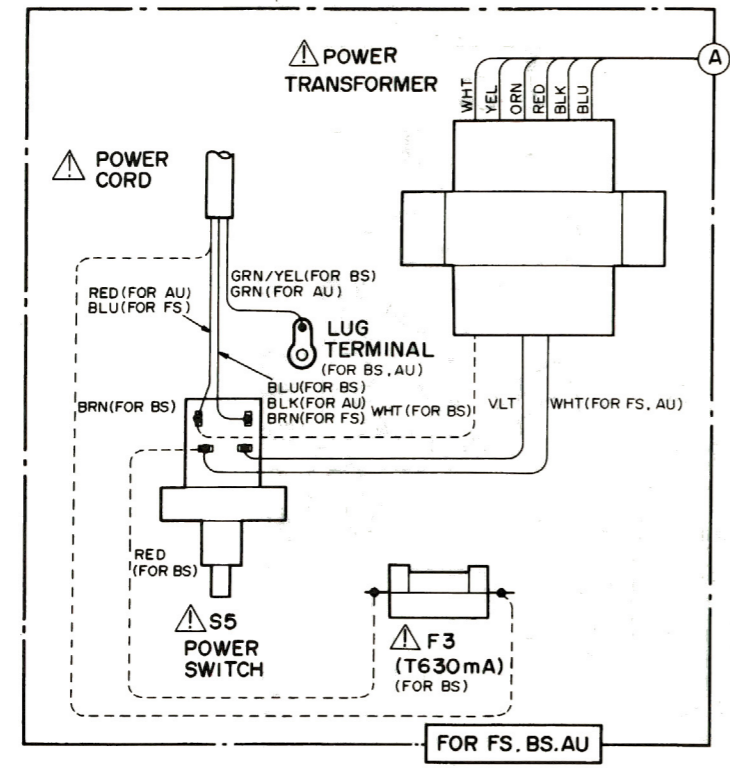
Note

1. Voltage measured at base of chassis with minimum volume control and no signal.
2. Nomenclature of Resistors and Capacitors.

Circuit No.	
Value	No indicated Ω(Ohm) M : 1000kΩ
Tolerance	No indicated ±5% K : ±10% M : ±20%
Wattage	No indicated ¼W
Sort	No indicated Carbon film RC : Composition RW : Wire wound RS : Oxide metal film RN : Fixed metal film

Circuit No.	
Value	No indicated μF P : PF
Tolerance	No indicated ±10% J : ±5% M : ±20% Z : +80% -20% D : ±0.5pF C : ±0.25pF
Sort	Ceramic
	Electrolytic
	Mylar
	Styrol
Voltage	No indicated 50WV

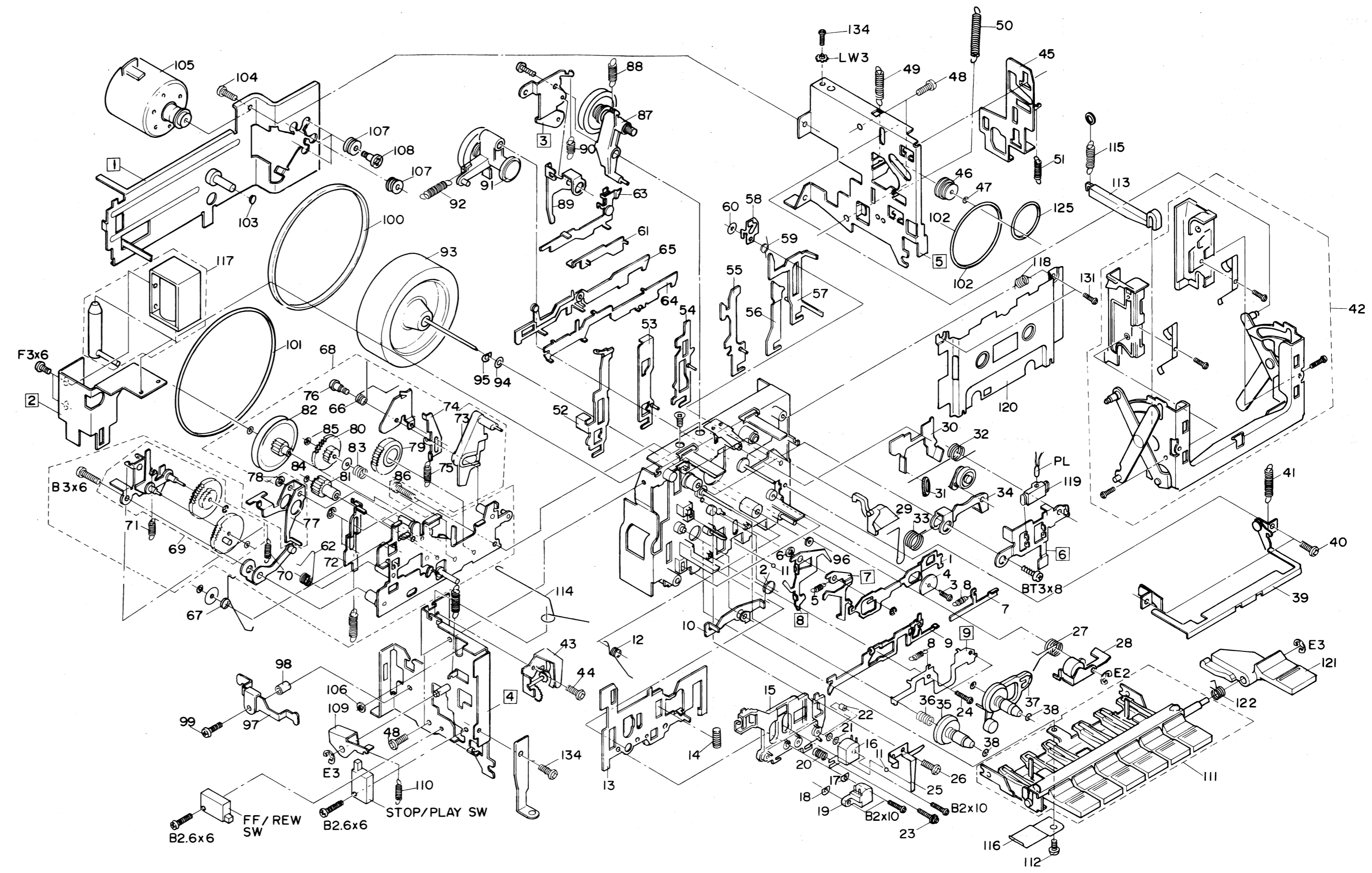
3. Be sure to make your orders of resistors and capacitors with value, voltage, tolerance and sort.
4. When replacing capacitors marked with *, use specified ones stated on parts list since required temperature characteristics.



REPLACEMENT PARTS LIST

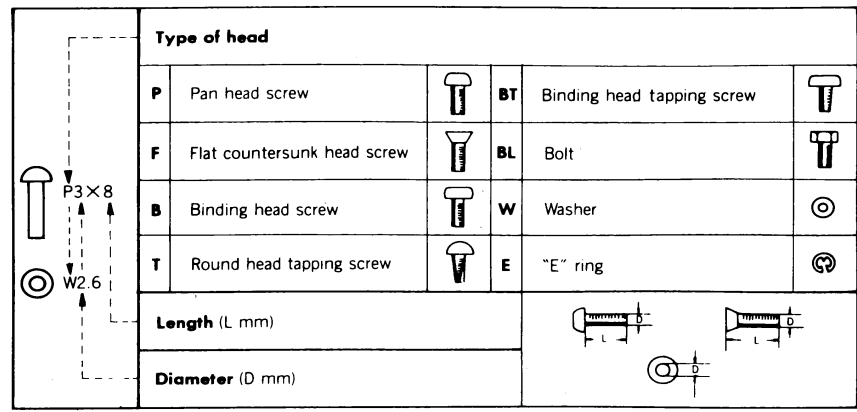
EXPLODED VIEW (Cassette Chassis)

SYMBOL-NO	P-NO	DESCRIPTION	SYMBOL-NO	P-NO	DESCRIPTION
CAPACITORS					
C 1LR	0209022	CERAMIC DISC (RESISTOR SHAPE) 0.002 2MF+-	Q4	5321301	TRANSISTOR 2SC1061
C 6LR	0208141	CERAMIC DISC (RESISTOR SHAPE) 100PF +-5%	Q5	5321294	TRANSISTOR 2SC 1740S
C20LR	0209022	CERAMIC DISC (RESISTOR SHAPE) 0.002 2MF+-	VR1	5340161	VARIATOR KB265
C21LR	0209011	CERAMIC DISC (RESISTOR SHAPE) 150PF +-10%	VR2	5340161	VARIATOR KB265
C22LR	0209004	CERAMIC DISC (RESISTOR SHAPE) 330PF +-10%	ZD1	5331091	DIODE AW08-13
C23LR	0209010	CERAMIC DISC (RESISTOR SHAPE) 1000P F+-10	ZD2	5331271	ZENER DIODE HZ18
C24LR	0209022	CERAMIC DISC (RESISTOR SHAPE) 0.002 2MF+-	ZD3	5330711	ZENER DIODE HZ4BC
C25LR	0209024	CERAMIC DISC (RESISTOR SHAPE) 4700P F+-30	TRANSFORMERS		
C39	0209025	CERAMIC DISC (RESISTOR SHAPE) 6800P F+-30	Δ PT	5212684	POWER (FOR FS)
C51LR	0209024	CERAMIC DISC (RESISTOR SHAPE) 4700P F+-30	Δ PT	5212685	POWER (FOR BS)
C54	0256361	TANTALUM ELECTROLYTIC 0.15MF+-10%,3 5V	Δ PT	5212686	POWER (FOR AU)
RESISTORS					
Δ CR1	0219902	CR PACK 120 OHM 0.0033MF 450V (FOR U)	Δ PT	5212687	POWER (FOR W)
Δ CR1	0219907	CR PACK 120 OHM 0.0033MF 450V (FOR C)	Δ PT	5212688	POWER (FOR U, C)
RT1LR	5007186	SEMI VARIABLE 10K OHM	COILS		
RT2LR	5007186	SEMI VARIABLE 10K OHM	L1LR	5161661	DOLBY FILTER
RT3LR	5007188	SEMI VARIABLE 47K OHM	L2LR	5260215	TRAP 33MH
RT4LR	5007189	SEMI VARIABLE 100K OHM	L3LR	5120561	BIAS TRAP
RV1LR	5000556	VARIABLE 20K OHM(A)	MISCELLANEOUS		
SEMI-CONDUCTORS					
D1LR	5330131	DIODE 1S2076	Δ	5658061	LED SOCKET
D2	5330572	DIODE SILICON 1S2473HC 100M (FOR W, FS, BS, AU)	Δ	5671201	HEADPHONE JACK
D3	5330572	DIODE SILICON 1S2473HC 100M (FOR W, FS, BS, AU)	Δ	5674211	MIC JACK
D4	5331241	DIODE 1SR34	Δ	5746158	POWER CORD (FOR FS, W)
D5	5331241	DIODE 1SR34	Δ	5746431	POWER CORD (FOR AU)
D7	5331241	DIODE 1SR34	Δ	5746442	POWER CORD (FOR U, C)
D8	5330572	DIODE SILICON 1S2473HC 100M	Δ	5746541	POWER CORD (FOR BS)
D9	5330572	DIODE SILICON 1S2473HC 100M	Δ	5831621	CONNECTOR
D11	5330131	DIODE 1S2076	FL M	5310381	FL METER
IC1LR	5350251	IC HA1406	F1	5720175	FUSE 0.8A
IC2	5350462	IC HA11122	F2	5720175	FUSE 0.8A
IC4	5352033	IC BA335	Δ F3	5720174	FUSE 630MA (FOR BS)
LED1	5380372	LED TLG-25	Δ F3	5720171	FUSE 315MA (FOR W)
LED2	5380372	LED TLG-25	J2LR	5676082	PIN JACK
LED3	5380371	LED TLR-25	J3LR	5676082	PIN JACK
LED4	5380242	LED GL 3PG1	J5	5651141	5P DIN SOCKET (FOR W, FS, BS, AU)
M1	5356832	MODULE TA3003	OSC1	5260702	OSCILLATOR BLOCK
Q1LR	5321194	TRANSISTOR 2S0467BC	PL	5762036	PILOT LAMP
Q2	5321301	TRANSISTOR 2SC1061	RLY1	5641141	REED RELAY (FOR W, FS, BS, AU)
Q3	5320603	TRANSISTOR SILICON 2SA673A-C 80MHZ 400MW (FOR W, FS, BS, AU)	S 1	5623511	SLIDE SWITCH (REC/PLAY)
			S 2	5634158	PUSH SWITCH (INPUT SELECT)
			S 3	5634272	PUSH SWITCH (TAPE SELECT)
			S 4	5634272	PUSH SWITCH (DOLBY NR)
			Δ S 5	5633321	POWER SWITCH (FOR W)
			Δ S 5	5633482	POWER SWITCH (FOR U, C)
			Δ S 5	5633541	POWER SWITCH (FOR FS, BS, AU)
			Δ S 7	5605081	ROTARY SWITCH (FOR W)
			S 8	5634272	PUSH SWITCH (REC MUTE)
			S 9	5633361	PUSH SWITCH (FF/REW)
			S 6	5633361	PUSH SWITCH (MUTING)



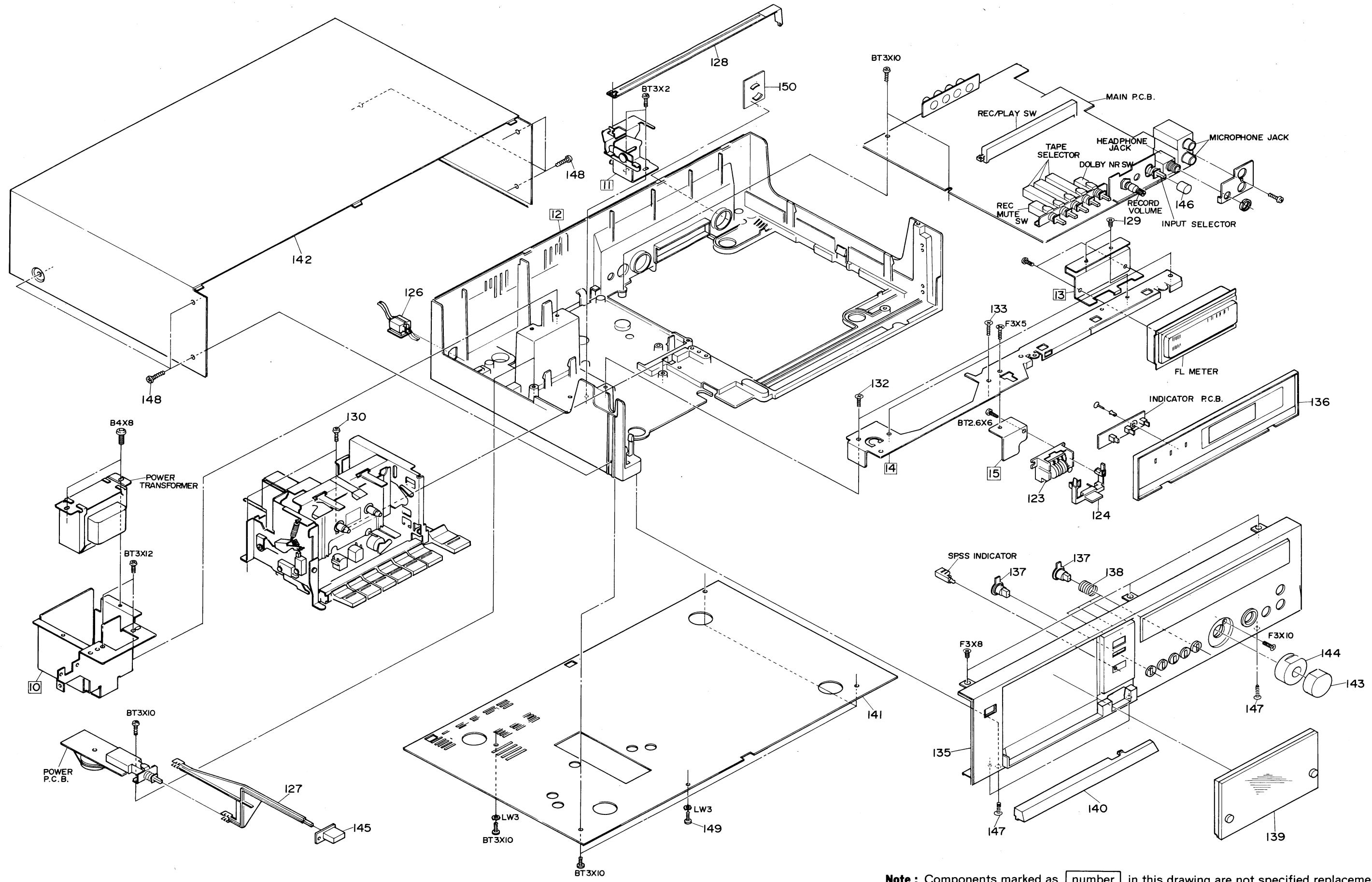
SYMBOL-NO	P-NO	DESCRIPTION	SYMBOL-NO	P-NO	DESCRIPTION
FOR ACCESSORIES			45	7315196	EJECT SLIDER
	5894164	PATCH CORD	46	6421832	RELAY PULLEY
	5894165	PATCH CORD	47	7786115	POLYESTER WASHER
	7740321	HEAD CLEANING STICK	48	8671405	DT SCREW-3MMDX5MM
	5662021	SOCKET ADAPTER (FOR W)	49	6322213	SPRING
FOR CASSETTE CHASSIS ASSEMBLY (A)			50	6319705	SPRING
1	7320921	EJECT STOPPER	51	6301722	SPRING
2	6545822	SPRING	52	7315102	RECORD SLIDER
3	7780912	TAPPING SCREW-2MMDX8MM	53	7315381	REWIND SLIDER ASSEMBLY
4	7772613	WASHER	54	7317085	PLAY SLIDER ASSEMBLY
5	6320573	SPRING	55	7315433	F.F SLIDER ASSEMBLY
6	7778841	POL SLIDER WASHER	56	7315443	STOP SLIDER
7	7320333	MUTING SENSER SLIDER (B)	57	7315148	PAUSE SLIDER ASSEMBLY
8	6323754	SPRING	58	7315214	PAUSE LOCK PIECE
9	7322742	MUTING SENSER SLIDER	59	6545711	SPRING
10	7317263	SWITCH ARM	60	7786179	POLYESTER WASHER
11	0948492	BALL - 2MMD	61	7315343	RECORD PREVENTION PLATE
12	6545775	HEAD PLATE SPRING	62	6545672	SPRING
13	7322761	HEAD PLATE ASSEMBLY	63	7317064	BRAKE FUNCTION PLATE ASSEMBLY
14	6305523	SPRING	64	7315627	PLAY LOCK PLATE
15	6754378	HEAD BASE	65	7317416	F.F,RWIND LOCK PLATE
16	5444594	RECORD PLAYBACK HEAD	66	6545781	SPRING
17	7768181	HEAD SPACER	67	6545732	SPRING
18	7768182	SPACER	68	7040114	POWER ASSIST ASSEMBLY
19	5445131	ERASE HEAD	69	7315254	POWER ASSIST ASSEMBLY
20	6321733	HEAD SPRING C	70	6300987	SPRING
21	7779921	WASHER	71	6300591	SPRING
22	7574844	COLLAR	72	7320981	POWER ASSIST PREVENTION PLATE
23	7781001	SCREW	73	6754363	AUTO STOP ARM
24	8691106	DT SCREW-2MMDX6MM	74	7315292	AS PIC UP LEVER
25	6532872	LEAF SPRING	75	6540702	SPRING
26	8671406	DT SCREW-3MMDX6MM	76	7777612	SPECIAL SCREW-3.5MMDX2.7MM
27	6545766	SPRING	77	7317624	SOLENOID LEVER
28	6383438	PRESSURE ROLLER ARM ASSEMBLY	78	7786219	POLYESTER WASHER
29	6757232	RECORD PREVENTION ARM	79	6430311	CAM GEAR
30	7315365	BRAKE PLATE	80	6430322	AUTO STOP GEAR
31	6586004	RUBBER FOR BRAKE	81	6430361	IDLER GEAR
32	6545692	SPRING	82	6421841	PULLEY GEAR
33	6545682	SPRING	83	6305571	SPRING
34	7315272	F.F ARM ASSEMBLY	84	7786115	POLYESTER WASHER
35	6413313	TURNTABLE ASSEMBLY (SUPPLY)	85	7786217	POL SLIDER WASHER
36	6320731	BACK TENSION SPRING LEFT	86	8671412	DT SCREW-3MMDX12MM
37	6412838	TURNTABLE ASSEMBLY (TAKE UP)	87	6413505	TAKE UP ARM ASSEMBLY
38	7786115	POLYESTER WASHER	88	6323064	SPRING
39	7312283	CASSETTE UP ARM ASSEMBLY	89	7315083	BRAKE LEVER
40	0671305	DT SCREW-2.6MMDX5MM	90	6324437	SPRING
41	6540711	SPRING	91	6413512	REWIND ARM ASSEMBLY
42	7312266	CASSETTE HOLDER ASSEMBLY	92	6322472	SPRING
43	7290501	GOVERNOR	93	6373402	FLYWHEEL ASSEMBLY
44	0671305	DT SCREW-2.6MMDX5MM			

SYMBOL-NO	P-NO	DESCRIPTION	SYMBOL-NO	P-NO	DESCRIPTION
FOR CASSETTE CHASSIS ASSEMBLY (A)					
94	7778848	POL SLIDER WASHER	125	6354634	COUNTER BELT
95	7772623	SPRING	△ 126	6794081	BUSHING (FOR U, C)
96	7786623	PULY SLIDER WASHER	△	6794141	BUSHING (FOR W, FS)
97	7315932	RECORD CHANGE LEVER	△	6711351	BUSHING (FOR BS, AU)
98	7575882	SPACER	127	6753821	SWITCH LEVER
99	8671410	DT SCREW-3MMDX10MM	128	7320393	RECORD LEVER ASSEMBLY
100	6357403	FLYWHEEL BELT	129	8601406	DT FLAT SCREW-3MMDX6MM
101	6354913	BELT	130	8699412	BIND TAPPING SCREW-3MMDX12MM(BLACK)
102	6354251	COUNTER BELT	131	7780915	BIND TAPPING SCREW-2MMDX5MM
103	7768682	FLYWHEEL THRUST SUPPORT	132	7781581	BT FLAT SCREW-3MMDX10MM
104	8671406	DT SCREW-3MMDX6MM	133	7781582	FLAT SCREW-3MMDX10MM(BLACK)
105	5576296	MOTOR ASSEMBLY	134	8671406	DT SCREW-3MMDX6MM
106	7786219	POLYESTER WASHER	MISCELLANEOUS		
107	6576322	RUBBER PLATE	135	6222596	FRONT PANEL ASSEMBLY (FOR U, C)
108	7539002	SCREW FOR MOTOR MOUNTING		6222597	FRONT PANEL ASSEMBLY (FOR W, FS, BS, AU)
109	7320543	MUTING LFVER	136	6203631	SMOKE PANEL ASSEMBLY
110	6302954	SPRING	137	6051881	PUSH BUTTON (REC MUTE, TAPE SELECT, DOLBY NR)
111	7040093	BUTTON ASSEMBLY	138	6304175	BUTTON SPRING
112	8671405	DT SCREW-3MMDX5MM	139	6092035	CASSETTE DOOR ASSEMBLY
113	6753012	EJECT ARM ASSEMBLY	140	6182113	HEAD COVER
114	6545268	DAMPER WIRE	141	6040753	BOTTOM COVER (FOR U, C, FS, BS, AU)
115	6540013	DAMPER SPRING		6040754	BOTTOM COVER (FOR W)
116	6533363	SPRING	142	6041602	UPPER COVER (FOR U, C)
117	5642822	DC SOLENOID		6040763	UPPER COVER (FOR W, FS, BS, AU)
FOR CASSETTE CHASSIS ASSEMBLY (B)			143	6287591	KNOB ASSEMBLY (RECORD L)
118	6545851	EARTH SPRING	144	6289181	KNOB ASSEMBLY (RECORD R)
119	6574321	LAMP HOLDER	145	6051531	POWER BUTTON
120	6631385	CASSETTE METAL ASSEMBLY	146	6051272	PUSH BUTTON (INPUT SELECT)
121	6257481	EJECT BUTTON	147	7781581	BT FLAT SCREW-3MMDX10MM
122	6545611	SPRING	148	7781731	BT BIND SCREW-4MMDX10MM (FOR W, FS, BS, AU)
	5559234	COUNTER		8699610	BT BIND SCREW-4MMDX10MM (FOR U, C)
	6753283	COUNTER BUTTON	149	8678406	DT SCREW-3MMDX6MM (BLACK)
			150	6754292	DIN CAP (FOR U, C)



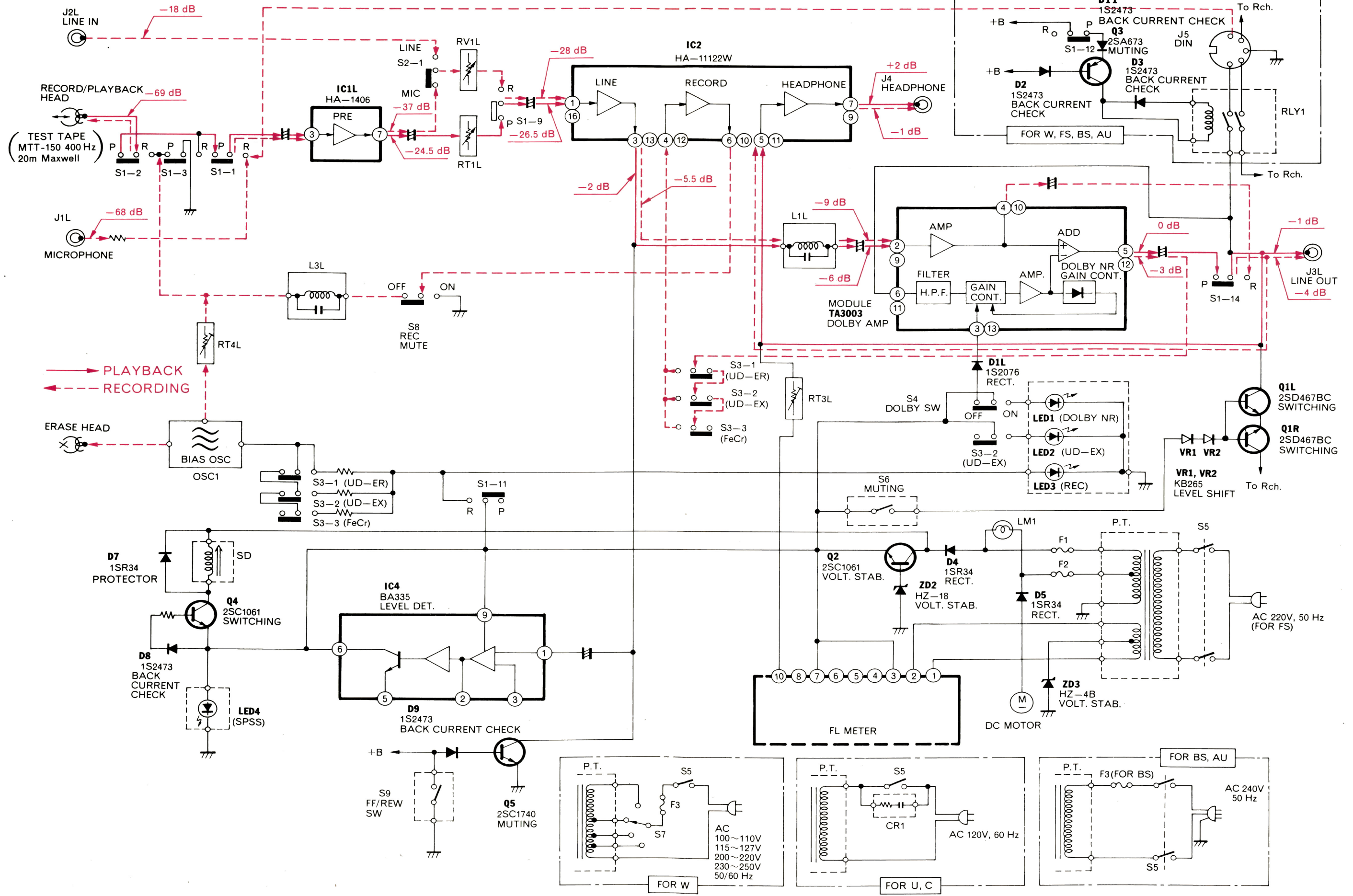
When ordering hardware excluding stated on these lists, be sure to make your orders with type and size.

EXPLODED VIEW (Cabinet)



Note : Components marked as [number] in this drawing are not specified replacement parts.

BLOCK DIAGRAM



- MEMO -

HITACHI SALES CORPORATION OF AMERICA**Eastern Regional Office**

1200 Wall Street West, Lyndhurst, New Jersey 07071

Tel. 201-935-8980

Mid-Western Regional Office

1400 Morse Ave., Elk Grove Village, Ill. 60007

Tel. 312-593-1550

Southern Regional Office

510 Plaza Drive College Park, Georgia 30349

Tel. 404-763-0360

Western Regional Office

401 West Artesia Boulevard, Compton, California 90220

Tel. 213-537-8383

HITACHI SALES CORPORATION OF HAWAII, INC

743-G Waiakamilo Rd., Honolulu, Hawaii 96817

Tel. 808-841-0431

HITACHI SALES CORP. OF CANADA Ltd.

3300 Trans Canada Highway Pointe Claire, Quebec, H9R1B1, Canada

Tel. 514-697-9150

HITACHI SALES EUROPA GmbH

2 Hamburg 54, Kleine Bahnstraße 8, West Germany

Tel. 850 60 71-75

HITACHI SALES (U.K.) Ltd.

Hitachi House, Station Road, Hayes, Middlesex UB3 4DR, England

Tel. 01-848-8787 (Service Centre : 01-848-3551)

HITACHI SALES SCANDINAVIA AB

Rissneleden 8, Sundbyberg, Box 7138, S-172-07 Sundbyberg 7,

Sweden

Tel. 08-98 52 80

HITACHI SALES NORWAY A/S

Oerøbekk 1620 Gressvik P.O. Box 46 N-1601 Fredrikstad, Norway

Tel. 032-28050

SUOMEN HITACHI OY

Box 151, SF-15100 Lahti 10, Finland

Tel. Lahti 44 241

HITACHI SALES A/S

Kuldysen 13, DK-2630 Taastrup, Denmark

Tel. 02-999200

HITACHI SALES A.G.

5600 Lenzburg, Switzerland

Tel. 064-513621

HITACHI-FRANCE (Radio-Télévision Electro-Ménager) S.A.

9, Boulevard Ney 75018, Paris, France

Tel. 201-25-00

HITACHI SALES WARENHANDELS GMBH

A-1180/Wien, Kreuzgasse 27

Tel. (0043222) 439367/8

HITACHI SALES AUSTRALIA Pty Ltd.

153 Keys Road, Moorabbin, Victoria 3189 Australia

Tel. 95-8722

HITACHI Ltd. TOKYO JAPAN

Head Office : 5-1, 1-chome, Marunouchi, Chiyoda-ku, Tokyo

Tel. Tokyo (212) 1111 (80 lines)

Cable Address : "HITACHY" TOKYO

Codes : All Codes Used

